



Converters / DVI

# DVI to VGA Converter



Extenders

Converters



## DDAP

DDAP converts DVI digital video signal to analog graphic signal so that display devices without DVI input can be connected to your PC and Laptop with DVI output easily and conveniently.

### Feature

- Converts digital DVI signal to analog VGA signal
- DVI 1.0 compliant
- Compact size
- Easy Resolution setting dip switch

Splitters

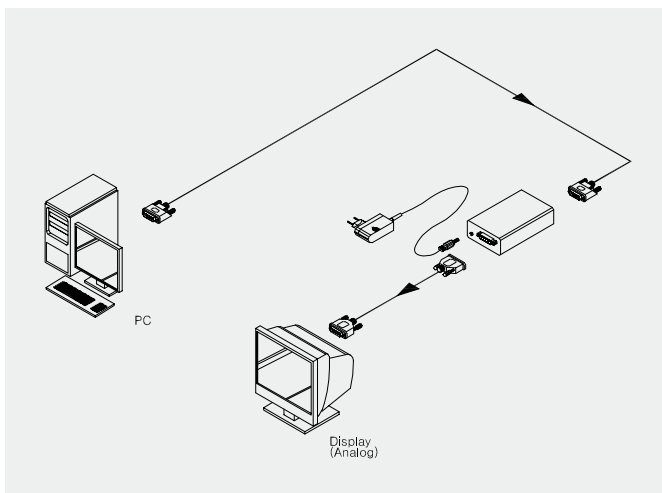
### Specification

	Input	Output
Connector	DVI-I (Female)	15pin D-sub (Female)
Pixel clock	165MHz (Single link)	
Supporting Resolution	- WUXGA(1920 x 1200)@60Hz - 1080p(1920 x 1080)@60Hz	
Power Consumption	1.98W(Max)	
Power supply	100~240V DC 5V, 2A	
Dimension	77W x 46D x 21H (mm) / 85g	
Environment	- Operating Temperature : 0°C ~ 50°C - Storage Temperature : -20°C ~ 70 °C	

Matrix switchers

Optic fibers

### Application



### Package

- DDAP
- Power Adapter
- User's Manual

### Ordering Information

## DDAP

Model name

