



Converters / DVI

# DVI to VGA Converter



Extenders

Converters

Splitters

Matrix switchers

Optic fibers



## DDA

This unique DVI Converter transports your PC's DVI signal to analog graphic signal so that analog display devices without DVI output can be connected to your PC and laptop with digital output easily and conveniently.

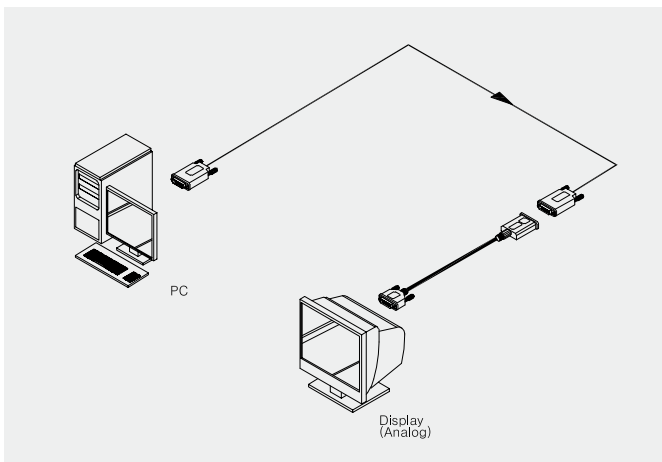
### Feature

- Input : DVI (Single Link) / Output : Analog VGA
- DVI 1.0 compliant
- External power adapter is available
- Supports up to WUXGA(1920 x 1200) resolution
- EMC & Safety : CE, FCC

### Specification

	Input	Output
Connector	DVI-I (Female)	15pin D-sub (Male)
Pixel clock	165MHz (Single link)	
Supporting Resolution	WUXGA(1920 x 1200)@60Hz 1080p(1920 x 1080)@60Hz	
Power Consumption	1.8W(Max)	
Power Supply	100 ~ 240V with DC 5V, 2A (Optional)	
Length	350 (mm)	
Environment	- Operating Temperature : 0° C ~ 50° C - Storage Temperature : -20° C ~ 70° C	

### Application



### Package

- DDA
- User's Manual

### Ordering Information

## DDA

Model name